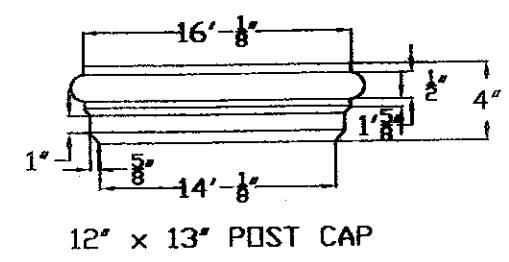
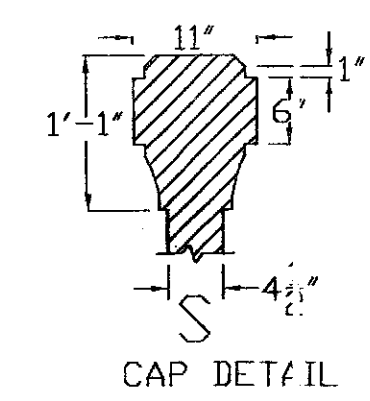
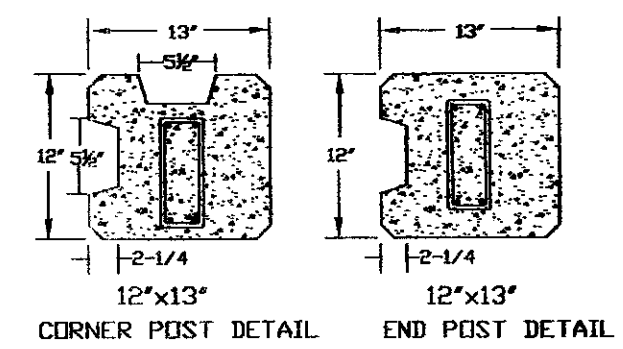


NOTE:
1-1/4" CLEAR COVER TO HOOP ON ALL POSTS
POST REINFORCEMENT REFER TO POST STEEL AND HOOP FOR SIZE



- NOTES:
1. ALL CONCRETE TO BE 3,000 PSI FOR FOUNDATIONS AND 4,000 PSI FOR ALL PRECAST UNITS
 2. ALL REINFORCING STEEL TO BE ASTM A615 DEFORMED BARS 60,000 PSI
 3. WIND LOADS CALCULATED PER ASCE 7-10, FOR 115 MPH 3 SECOND GUST, EXPOSURE 'C', PER SECTION 1615.2.1 OF THE FBC
 4. SOIL BEARING CAPACITY OF 2000 P.S.F. MIN..

PROJECT;

PRECAST WALL SYSTEMS INC.
1888 NW 22 COURT
POMPANO BEACH
FLORIDA 33069
PH 954-973-8488

FOUNDATION DEPTH SCHEDULE BASED ON 36" DIA FOOTING, AND SOIL BEARING CAP. OF 2000 P.S.F.				REINFORCING STEEL SPECIFICATIONS						
WALL HEIGHT	SOLID ROCK	DRY, UNDISTURBED MEDIUM DENSITY, SAND	SATURATED, UNDISTURBED MEDIUM DENSITY SAND	WALL HEIGHT	12"x13" SIZE	POST	HOOPS	MAT SIZE	VERTICAL BARS	HORIZONTAL BARS
6'-0"		3'-4"		6'-0"		4 - # 5 RE-BARS	3" ABOVE FTG. THEN 4-1/2" O.C. TO 2'-6" ABOVE FTG. THEN BAL. AT 18" O.C.	74"x19'0"	.375 DIA. 12' O.C. A.S. 0.110	.375 DIA. 6' O.C. A.S. 0.22
ALTERNATE FOOTING DIMENSIONS				PRECAST WALL SYSTEMS, INC. 1888 NW 22ND COURT POMPANO BEACH, FL 33069 954-973-8488 JAMES BUSHOUSE P.E. PROFESSIONAL ENGINEER 20311 STATE OF FLORIDA 1176 SW 4TH CT BOCA RATON FLORIDA 33432 1-561-17-3891 NOT VALID WITHOUT EMBOSSED SEAL <i>James Bushouse</i> 5/25/18						